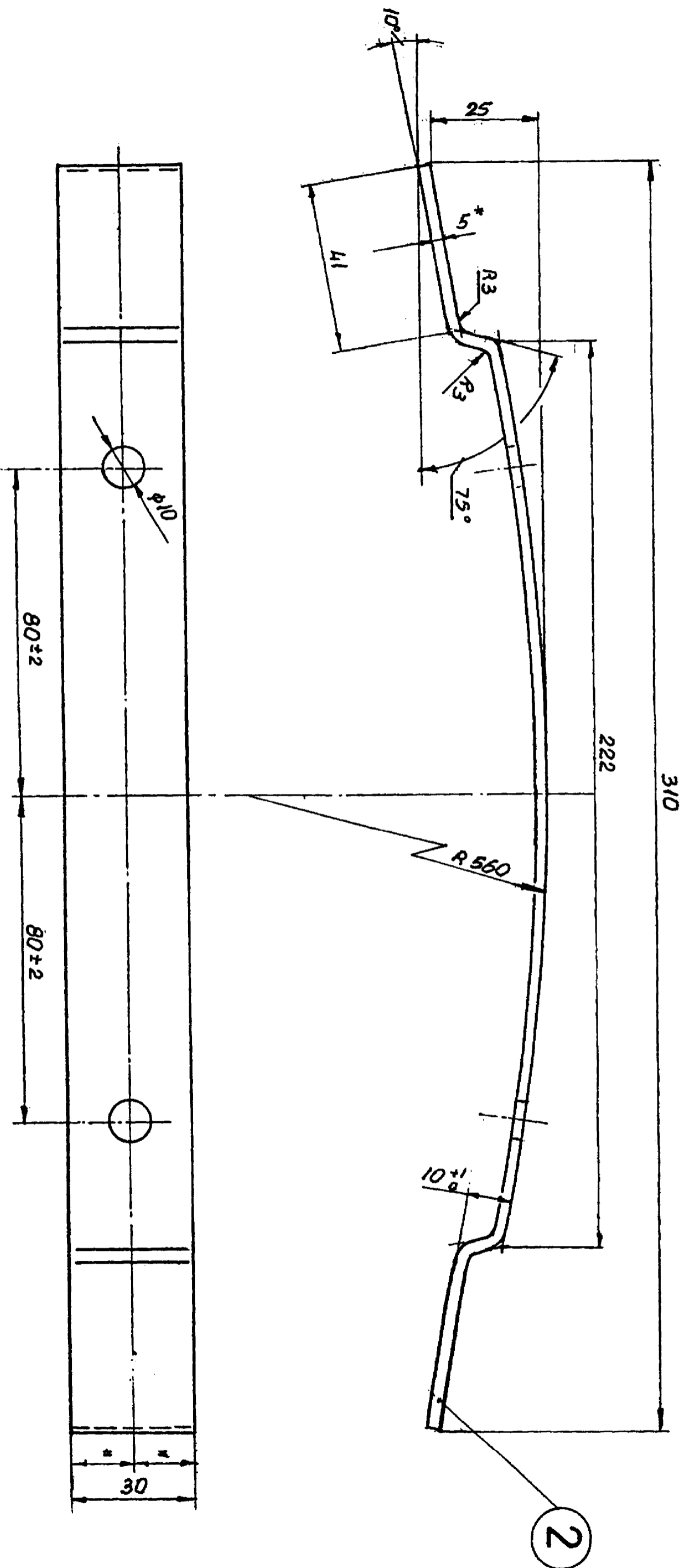


A-A

Item no	ST 37.21 30 x 5	~105	Quantity					
Material		Dimensions						
Ports and railways Authority				Mechanical Department				
			Date	Name				
Drawing no. <b>TW 248.02.4</b>	Drawing name: Brake shoe (item) AF 2	Drew	16.11.92					
		Checked	18.11.92					
		Scale 1:1						
Related file	Part of drawing TW284.00.1							
Materials list	Supersedes		No.	Change	Date	Sign		

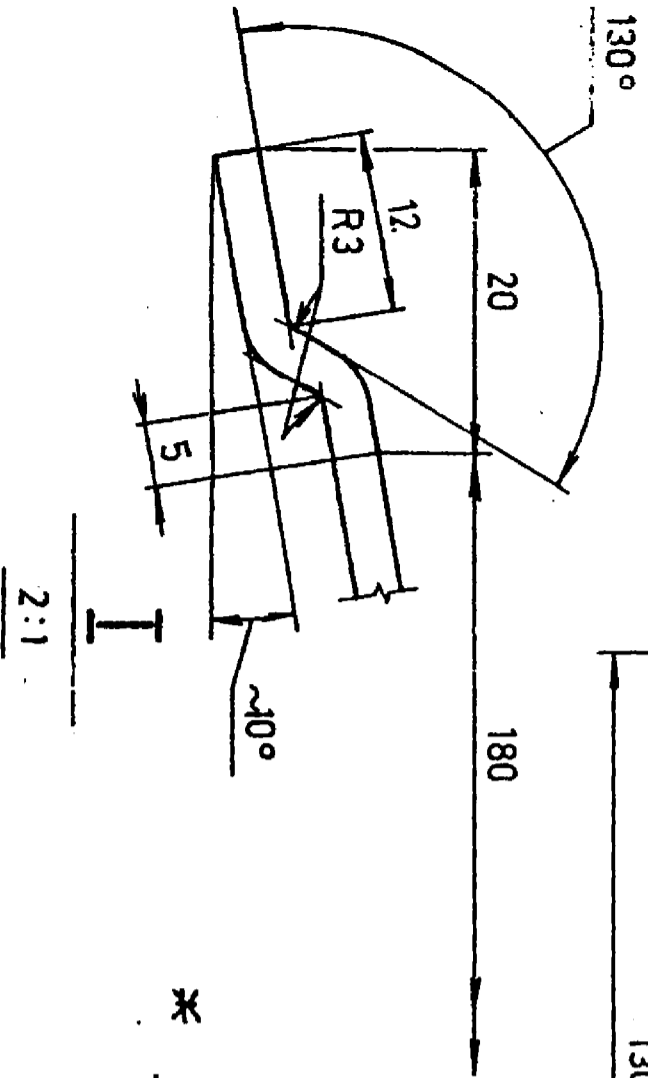
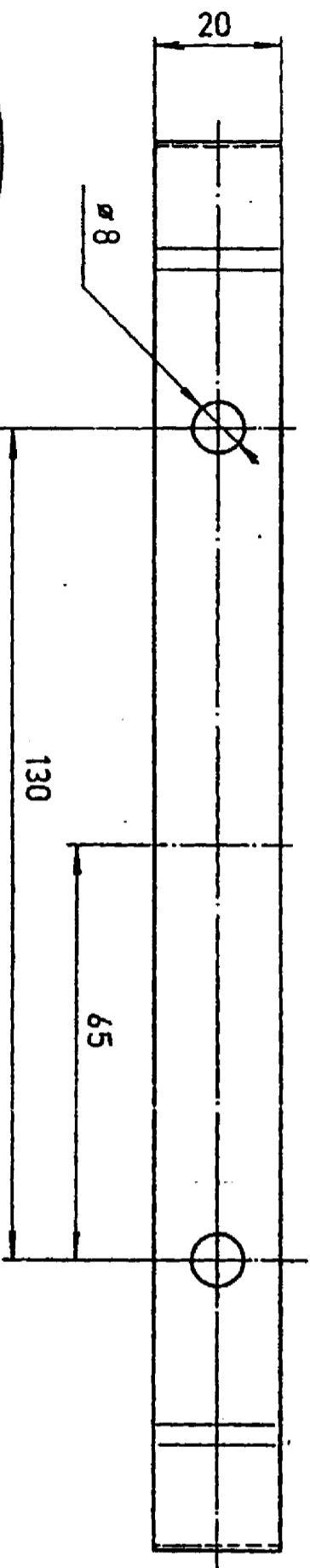
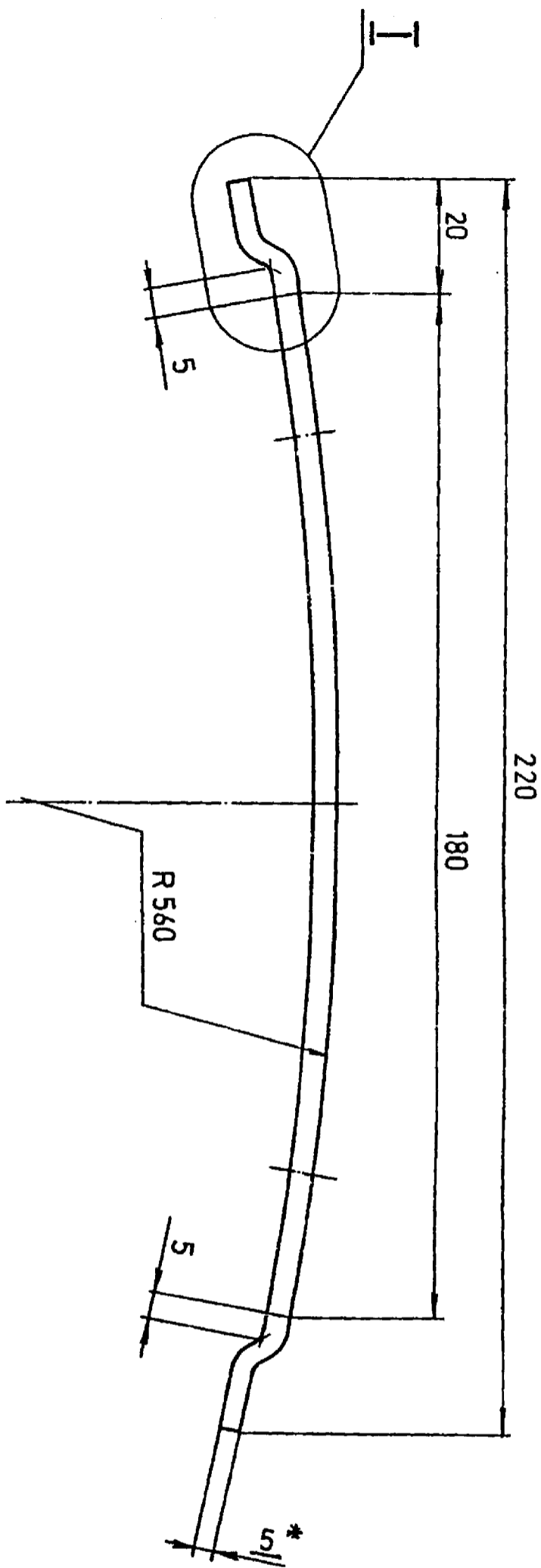


**\* NOTE**

The material of steel support will be According to item of UIC leaflet 832-0

Updated on 1.10.95

Item no	Tin 5 *	Material	Dimensions	Quantity
2			~324 x 30	
Ports and railways Authority Mechanical Department				
				Date
				Name
Drawing no.	Drawing name:	Drew	15.11.93	
<b>TW 248.01.3</b>	Brake shoe (item)			
	AF 2	Checked	16.11.93	
		Scale 1:1		
Related file	Part of drawing TW284.00.1A	Replaced by:		
	Materials list	Supersedes TW 284.04.3		

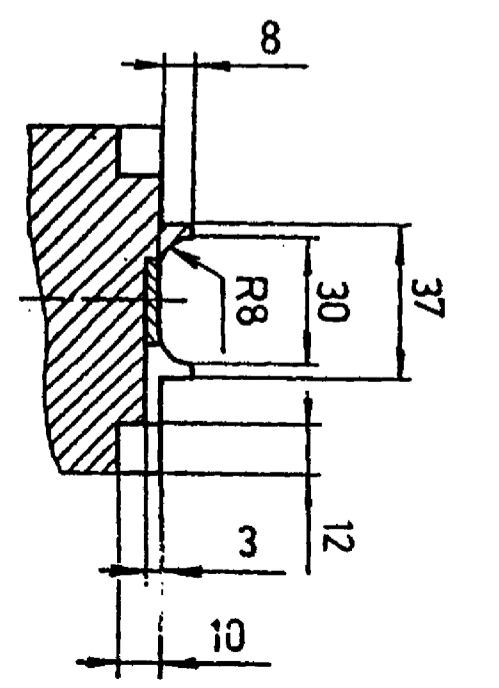
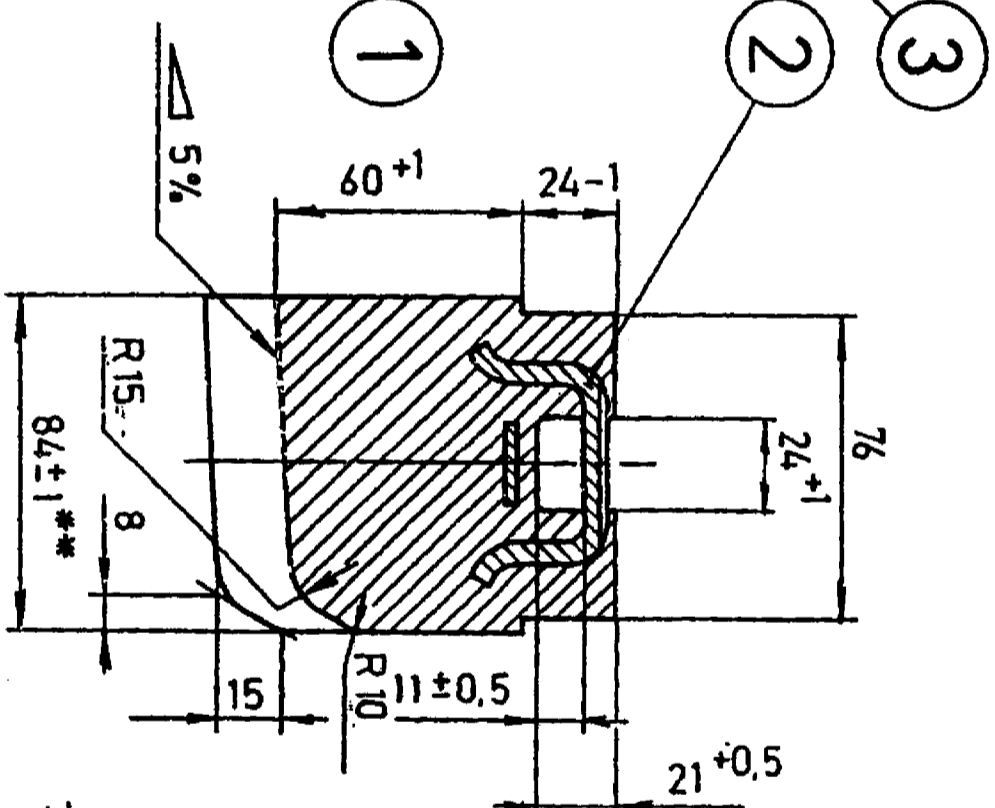
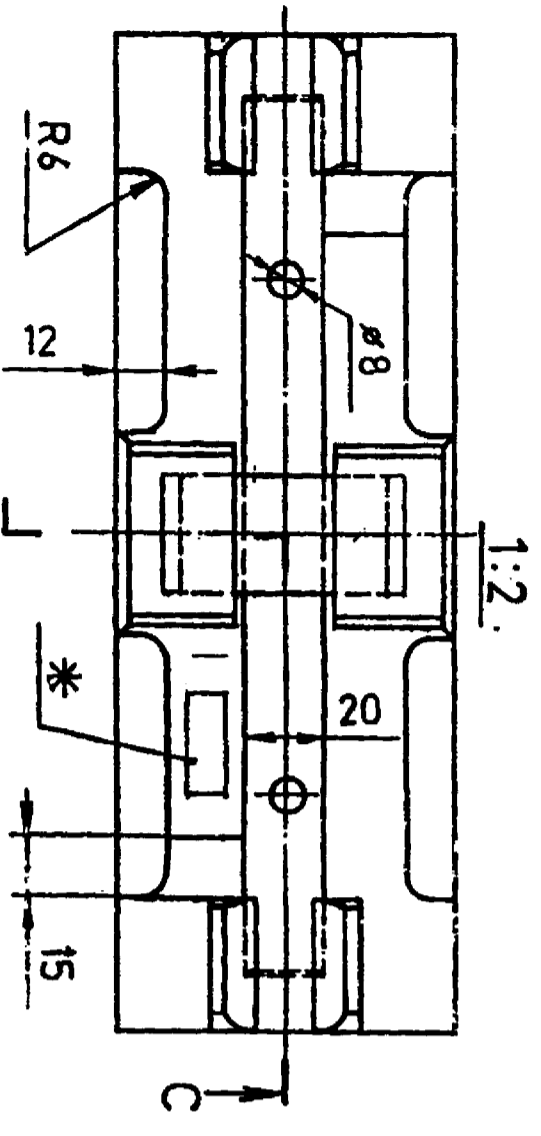
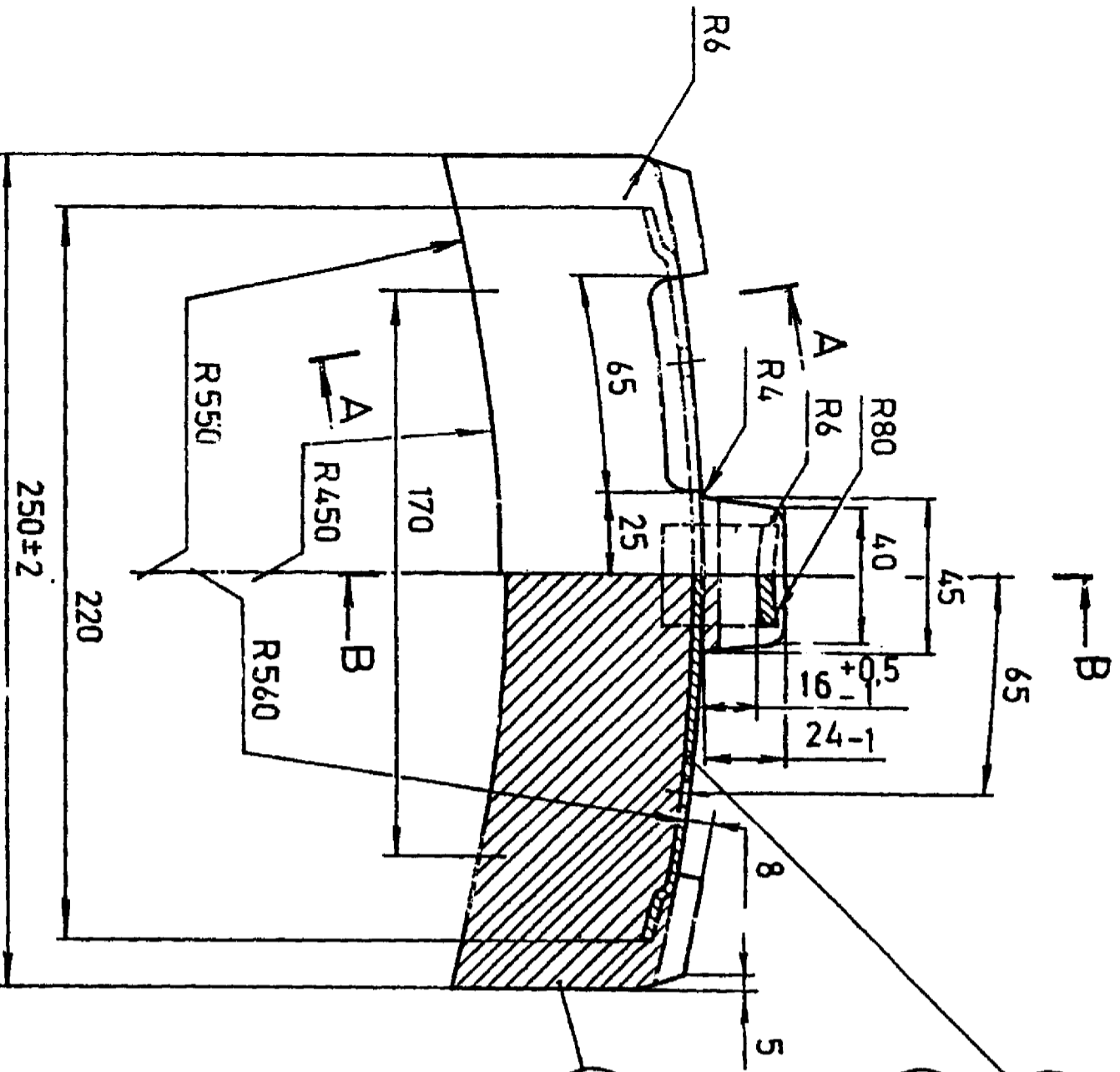


**\* NOTE**

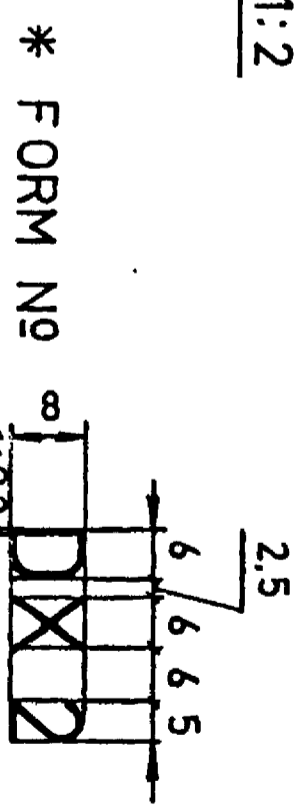
The material of steel support will be According to item 3,2 of UIC leaflet 832-0

MDDA 190.00.3  
 \*\* drawing modified on 1.10.95  
 signature

1	20 x 230	Flat 5*	3
Quan	Dimension	Material	No
Mechanical Dept. Ports & Railways Authority			
Name/Date	BRAKE SHOE		MDDA
<i>P. N. S. 93</i>	DX 2		190.013
scale: 1:1			



NOTE \*\*  
The material of steel support will be according to item 3,2 of UIC leaflet 832-0



\* FORM N<sup>o</sup> 8

MDD 190.013A	1	~230x20	*	*	flat 5	3
F-978:TW.284.024	1	~105x30	St	37.2	flat 5	2
	1	Cast iron UIC CODE 832-0**				1

Mechanical Dept  
Ports & Railways Authority

Name Date  
BRAKE SHOE  
DX 2  
MDDA  
190.003

scale: 1:2

MDDA 190.00.3  
\*\* drawing modified on 1.10.95  
signature