

- Legend
- 1 motor bogie
 - 2 frame bogie and magnetic crank brake
 - 3 main transformer
 - 4 cooler
 - 5 traction converter incl. auxiliary converter
 - 6 battery module
 - 7 compressor module
 - 8 air conditionenser
 - 9 air condition passenger
 - 10 brake module
 - 11 emergency equipment
 - 12 fire extinguisher
 - 13 waste bin
 - 14 landing equipment & wheel flange lubrication
 - 15 supply and depot horn
 - 16 ETCS antenna
 - 17 radar
 - 18 EPZ antenna
 - 19 fire roll-down curtain
 - 20 passenger information screen
 - 21 emergency coupler
 - 22 air intake
 - 23 auxiliary converter
 - 24 compressed air reservoir
 - 25 preparation for energy storage

	B	F	E	D	C	A	TRAIN COMPLETE
SEATS STANDARD CLASS	78	101	101	103	101	47	595
THEREFORE PRIORITY SEATS	6	16	16	16	16	6	66
TOTAL SEATS	-	0	1	10	10	25	65
TOTAL PLACES	78	108	108	108	108	48	650
WHEELCHAIR SPACES	-	-	-	-	-	2	2
BICYCLE SPACES	-	-	-	-	-	6	6
STANDING AREA (M ²)	2125	3132	3132	3545	3532	211	18576
(Maximum shown occupied by up seats used)	85	102	102	102	102	85	761

LSI 778
 1000000027865

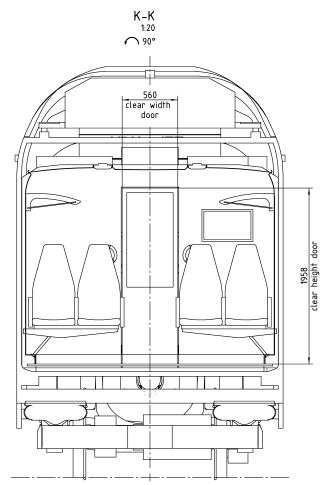
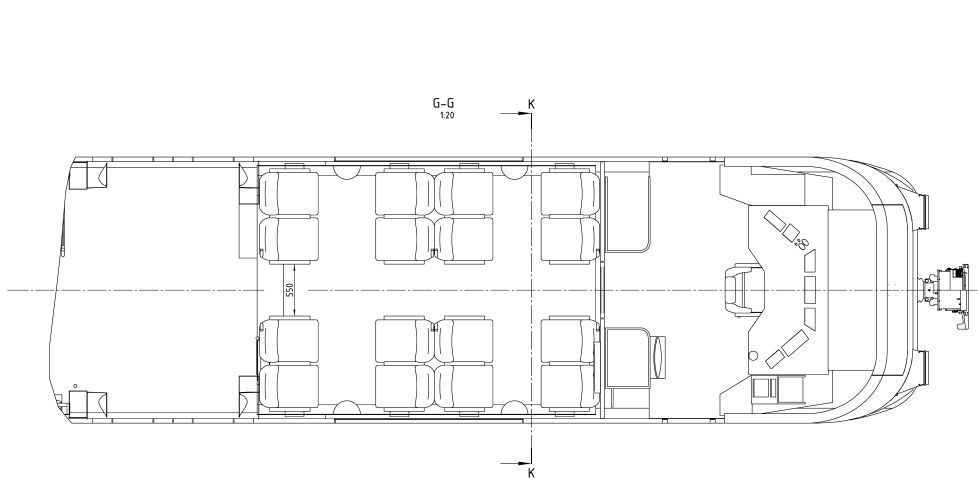
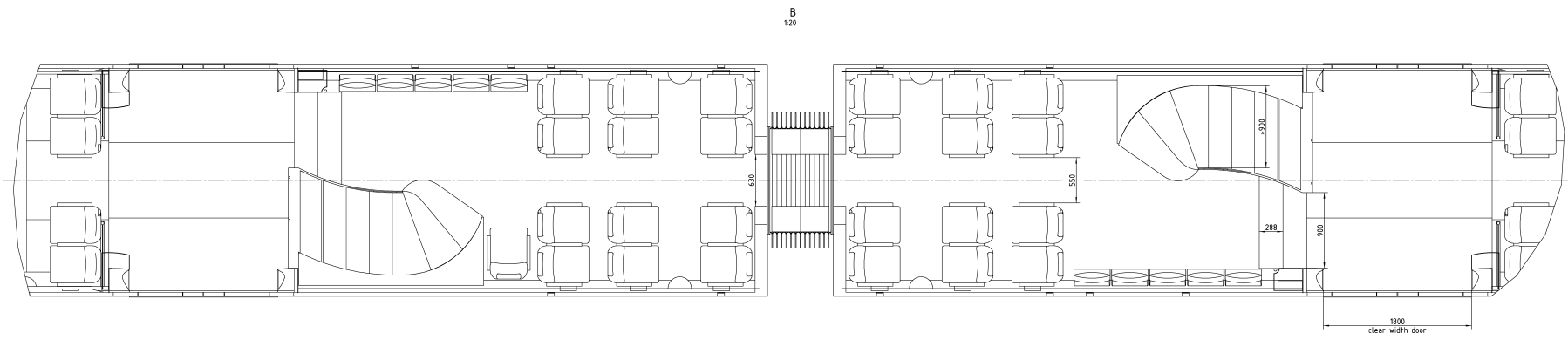
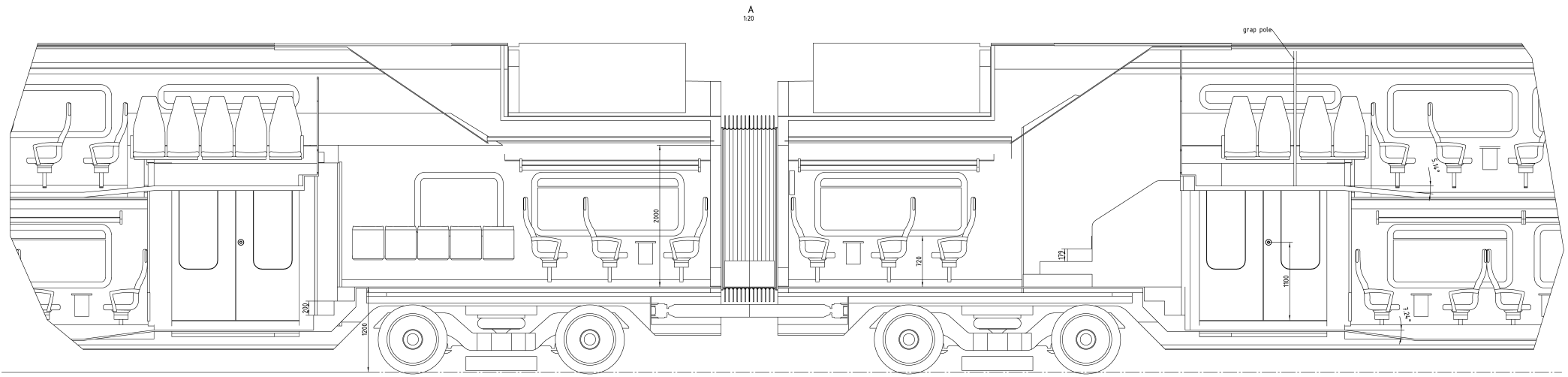
SIEMENS

NOT APPROVED / NIGHT BEZUGEBEN!

6-Car-Unit Israel
 6-Teller Israel

A6200039618713

3AT 0 21/02



LSD Part no. A7V00002728639		Siemens no.
DRAWING SHALL BE REVISED BY THE CAD SYSTEM ONLY		
A 150100442948 1=1801 BELS	1801001 01	11400
B 150100442948 1=1801 BELS		
NOT APPROVED! / NICHT FREIGEgeben! 6-Car-Unit Israel 6-Teiler Israel SIEMENS A6Z00039618713 B 02/02		