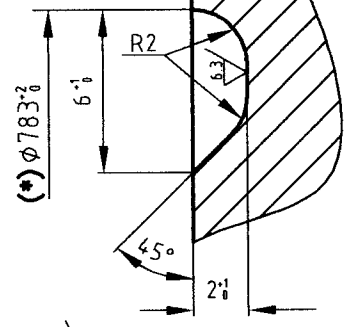
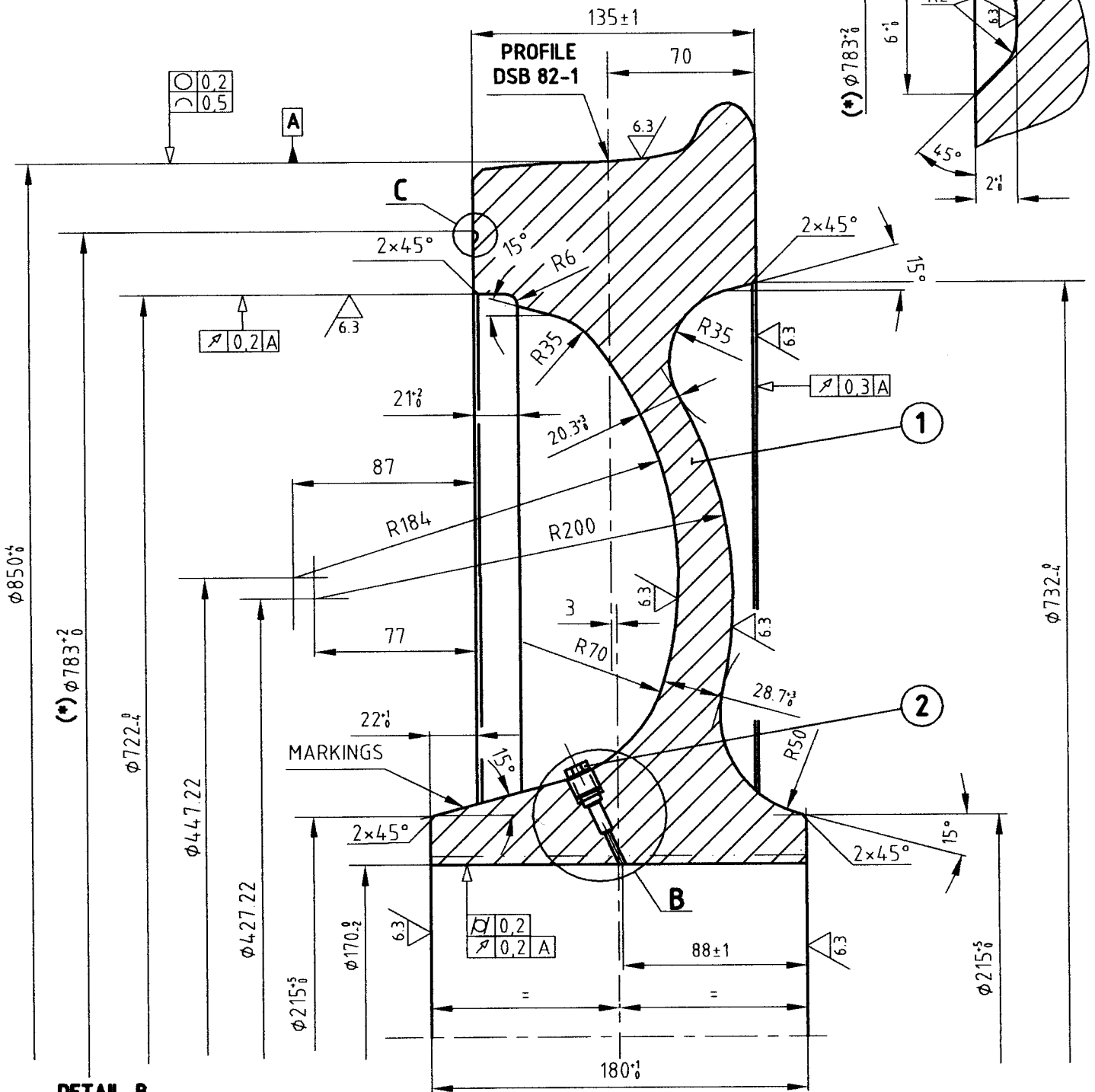


Ra12.5 / ( Ra6.3 )

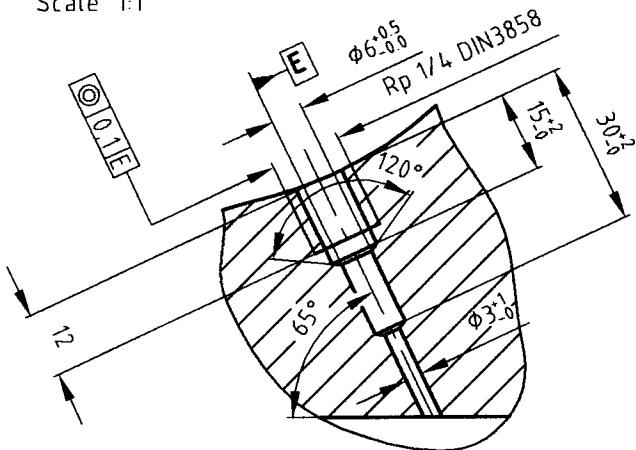
**DETAIL C**

Scale 5:1



**DETAIL B**

Scale 1:1



**NOMINAL DIAMETER OF AXLE 177 mm**

**Solid wheel statically balanced,  
admissible residual imbalance: 75 gm**

(\*) - Revision from 05.04.2006

1	HEXAGON HEAD PIPE PLUG DIN909 - R1/4 - St	2
1	ER8 (**)	1
Quant'	Size	Material
		No

ISRAEL RAILWAYS		ROLLING STOCK DIVISION	
Name	Date	Drw' name	Drw' No
	14.10.04	SOLID WHEEL φ 850	ME
		(FOR IC-3/Sets No 1-10,42-50) (*)	413.00.3(B)
		Scale 1:2	APPENDIX 1
Part of Technical Specification No M-04-48E			
(**) - Last revision from 26.11.2008			