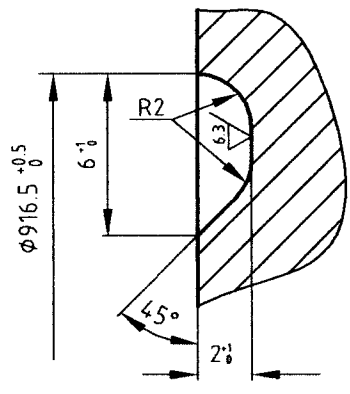
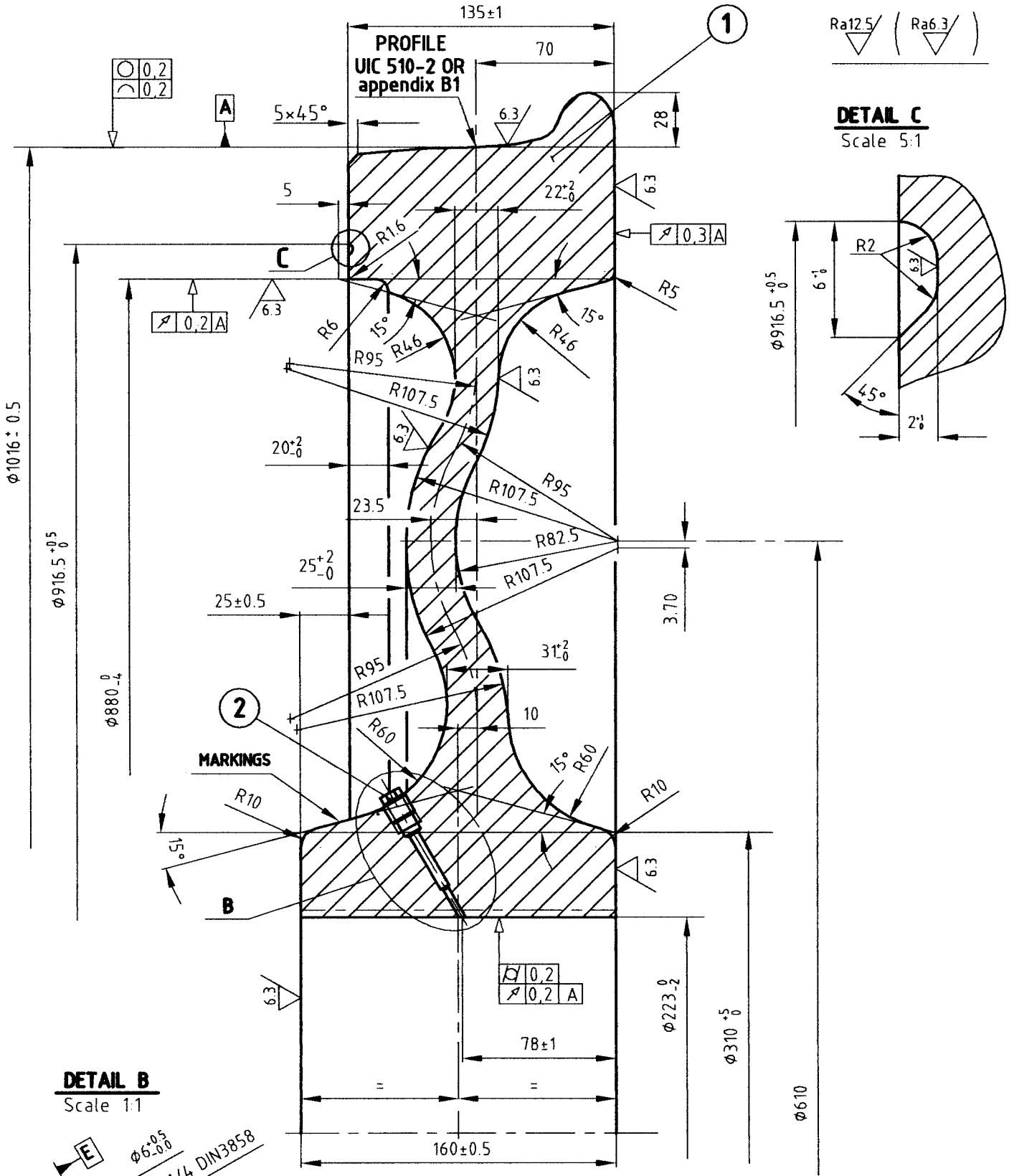
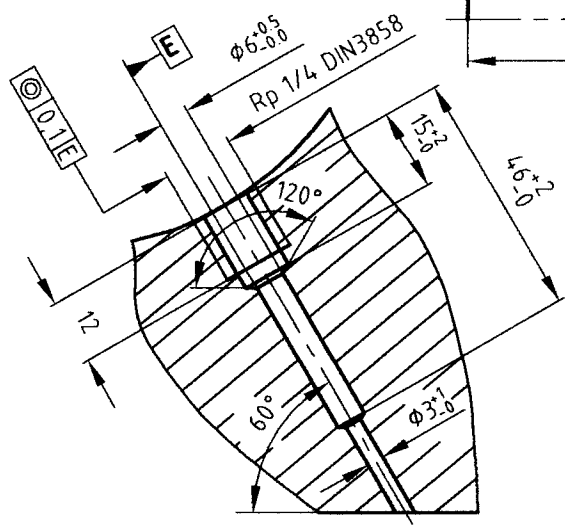


Ra12.5 / ( Ra6.3 )

**DETAIL C**  
Scale 5:1



**DETAIL B**  
Scale 1:1



**NOMINAL DIAMETER OF AXLE 230 mm**  
Solid wheel statically balanced,  
admissible residual imbalance: 75 gm

1	HEXAGON HEAD PIPE PLUG DIN909 - R1/4 - St	2
1		ER9 (*)
Quant'	Size	Material
No		No
ISRAEL RAILWAYS		ROLLING STOCK DIVISION
Name	Date	Drw' name
	14.10.04	SOLID WHEEL φ 1016
		(For Diesel Locomotive JT42BW)
		Drw' No ME 418.00.3(A)
		APPENDIX 11
Scale 1:2		Part of Technical Specification No M-04-48E
(*) - Last revision from 26.11.2008		