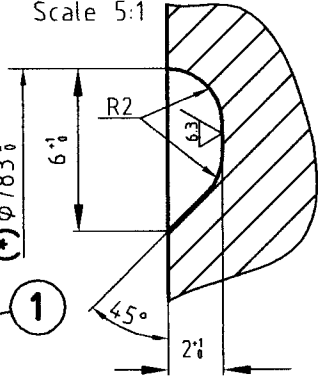
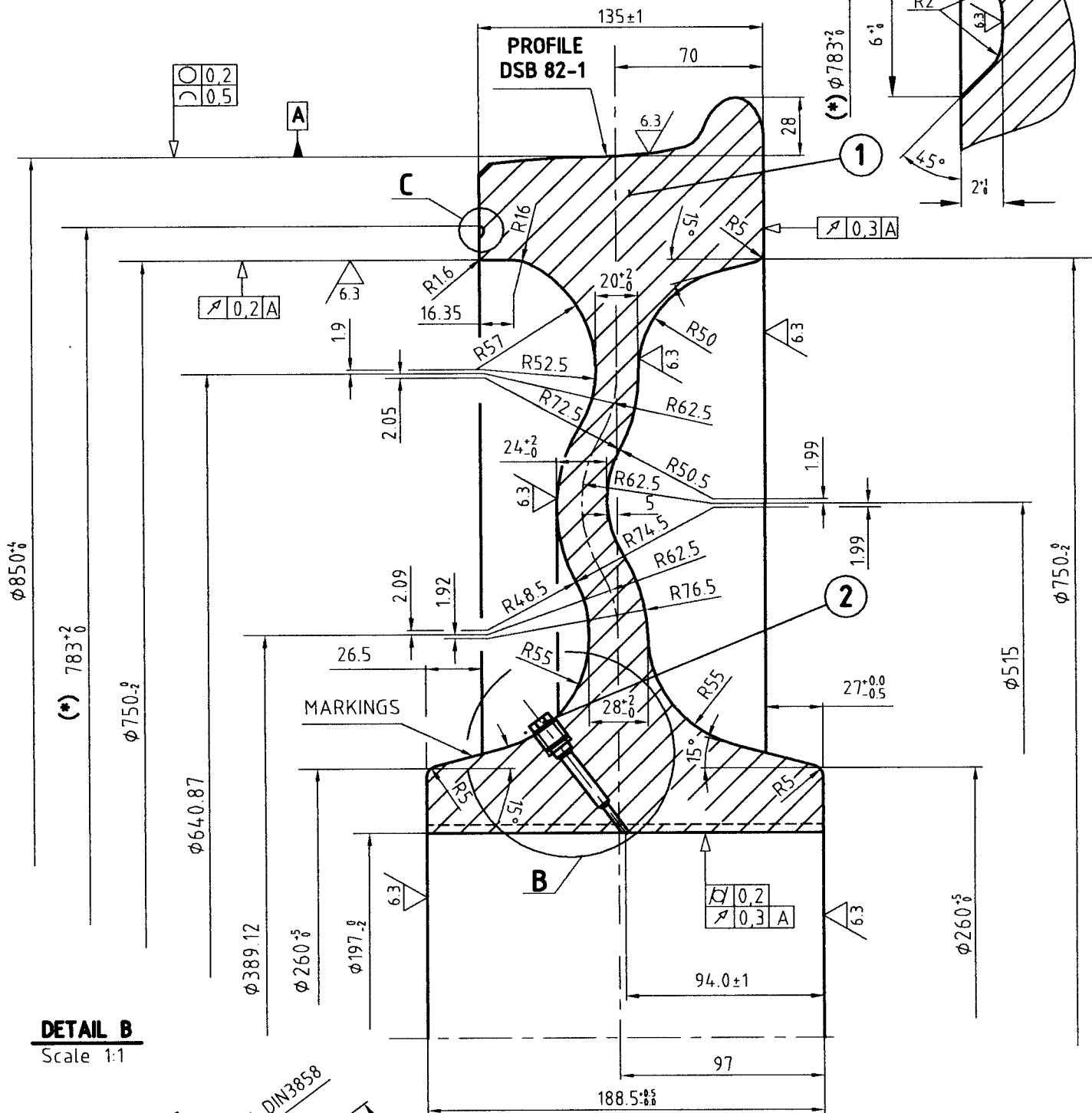


Ra12.5 / (Ra6.3)

**Solid wheel statically balanced,
admissible residual imbalance: 75 gm**

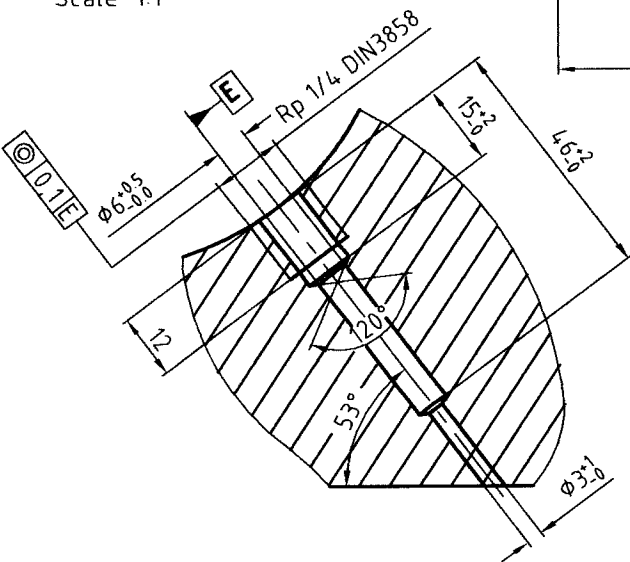
DETAIL C

Scale 5:1



DETAIL B

Scale 1:1



NOMINAL DIAMETER OF AXLE 204 mm

(*) - Revision from 05.04.2006

1	HEXAGON HEAD PIPE PLUG DIN909 - R1/4 - S1	2
1	ER8 (**)	1
Quant'	Size	Material
		No
ISRAEL RAILWAYS		ROLLING STOCK DIVISION
Name	Date	Drw' name
	14.10.04	SOLID WHEEL φ 850
	Drawn	(FOR IC-3/Sets No 25-41) (*)
	Verified	ME
		427.00.3
Scale 1:2		APPENDIX 3
Part of Technical Specification No M-04-48E		
(**) - Last revision from 26.11.2008		