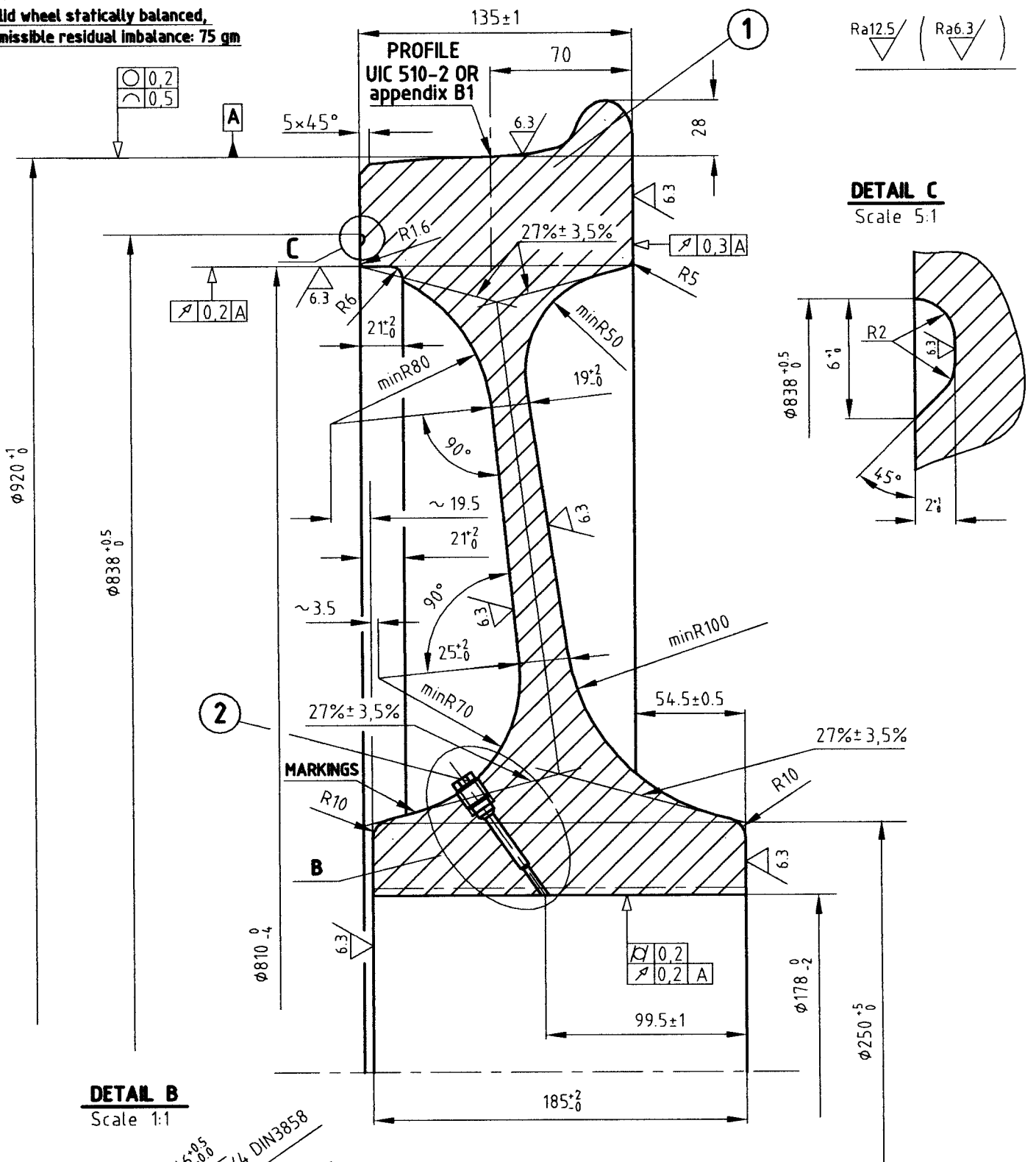


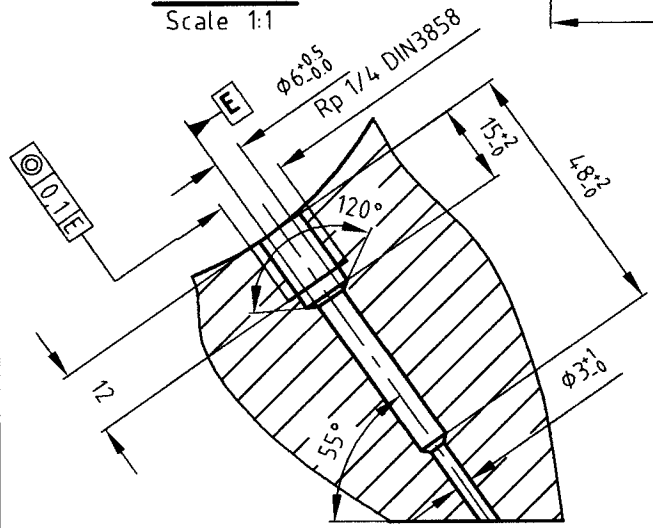
Solid wheel statically balanced,  
admissible residual imbalance: 75 gm



**DETAIL B**  
Scale 1:1

**DETAIL C**  
Scale 5:1

NOMINAL DIAMETER OF AXLE 185 mm



1	HEXAGON HEAD PIPE PLUG DIN909 - R1/4 - St	2
1	ER7 (*)	1
Quant'	Size	Material
ISRAEL RAILWAYS		ROLLING STOCK DIVISION
Name	Date	Drw' name
	14.10.04	SOLID WHEEL $\phi$ 920
	Drawn	(FOR G.A. PASSENGER COACHES.)
	Verified	ME
		415.00.3(A)
Scale 1:2		APPENDIX 4
Part of Technical Specification No M-04-48E		
(*) - Last revision from 26.11.2008		