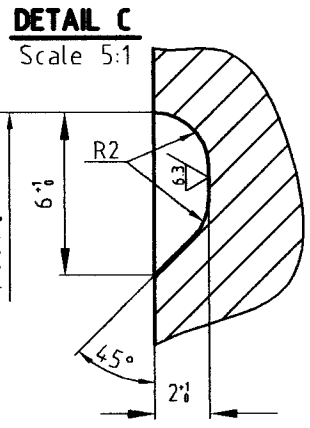
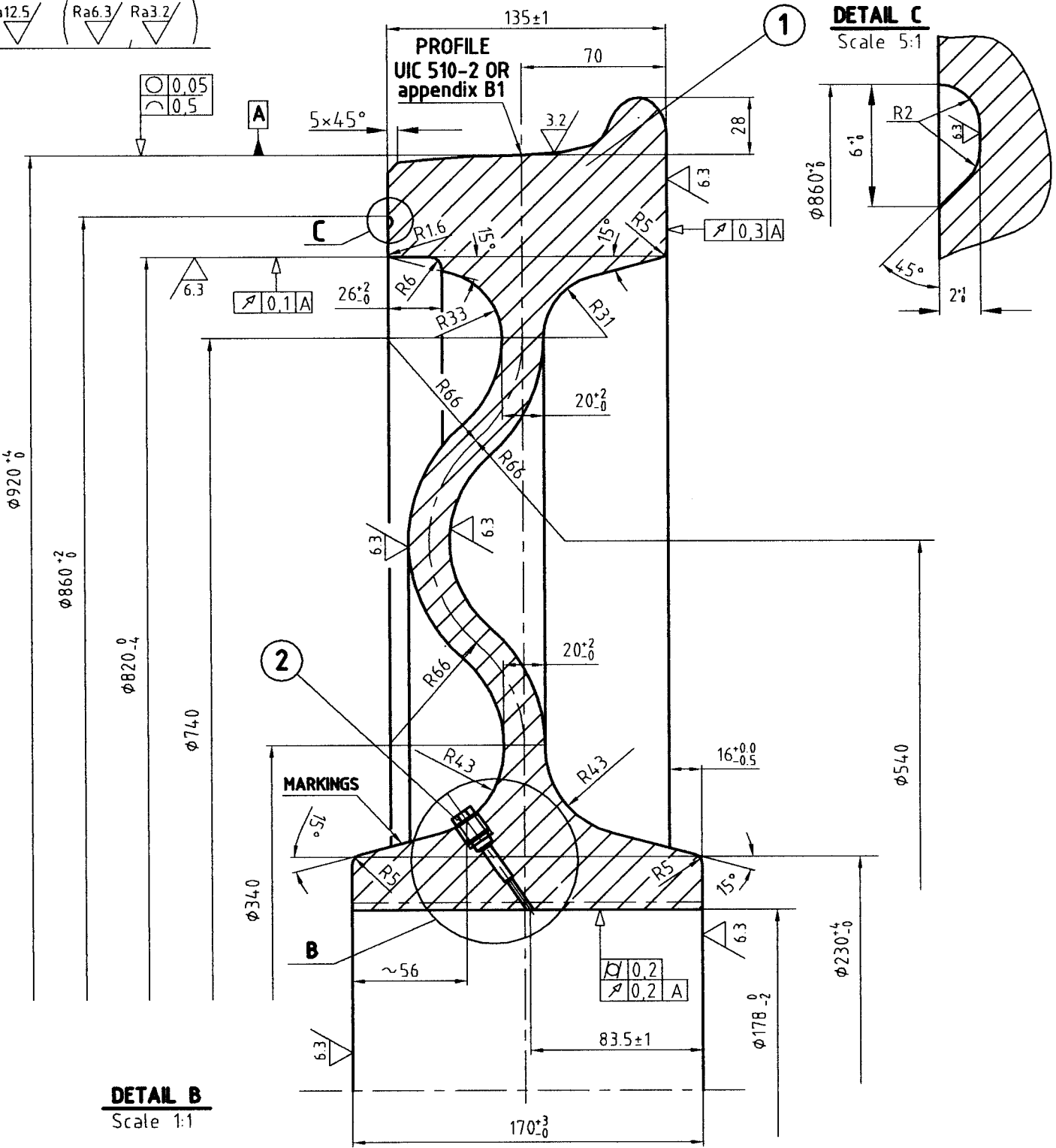
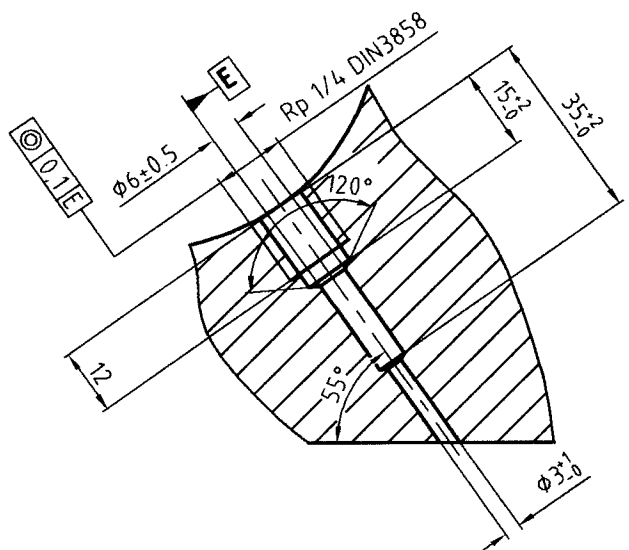


Ra12.5 / (Ra6.3 / Ra3.2)



DETAIL B
Scale 1:1



**Solid wheel statically balanced,
admissible residual imbalance: 50 gm**
NOMINAL DIAMETER OF AXLE 185 mm

1	HEXAGON HEAD PIPE PLUG DIN909 - R1/4 - St	2
1	ER8 (*)	1
Quant'	Size	Material
ISRAEL RAILWAYS ROLLING STOCK DIVISION		
Name	Date	Drw' name
	14.10.04	SOLID WHEEL ϕ 920
	Drawn	(FOR DOUBLE-DECK COACHES)
	Verified	428.00.3
Scale 1:2		APPENDIX 5
Part of Technical Specification No M-04-48E		
(*) - Last revision from 26.11.2008		