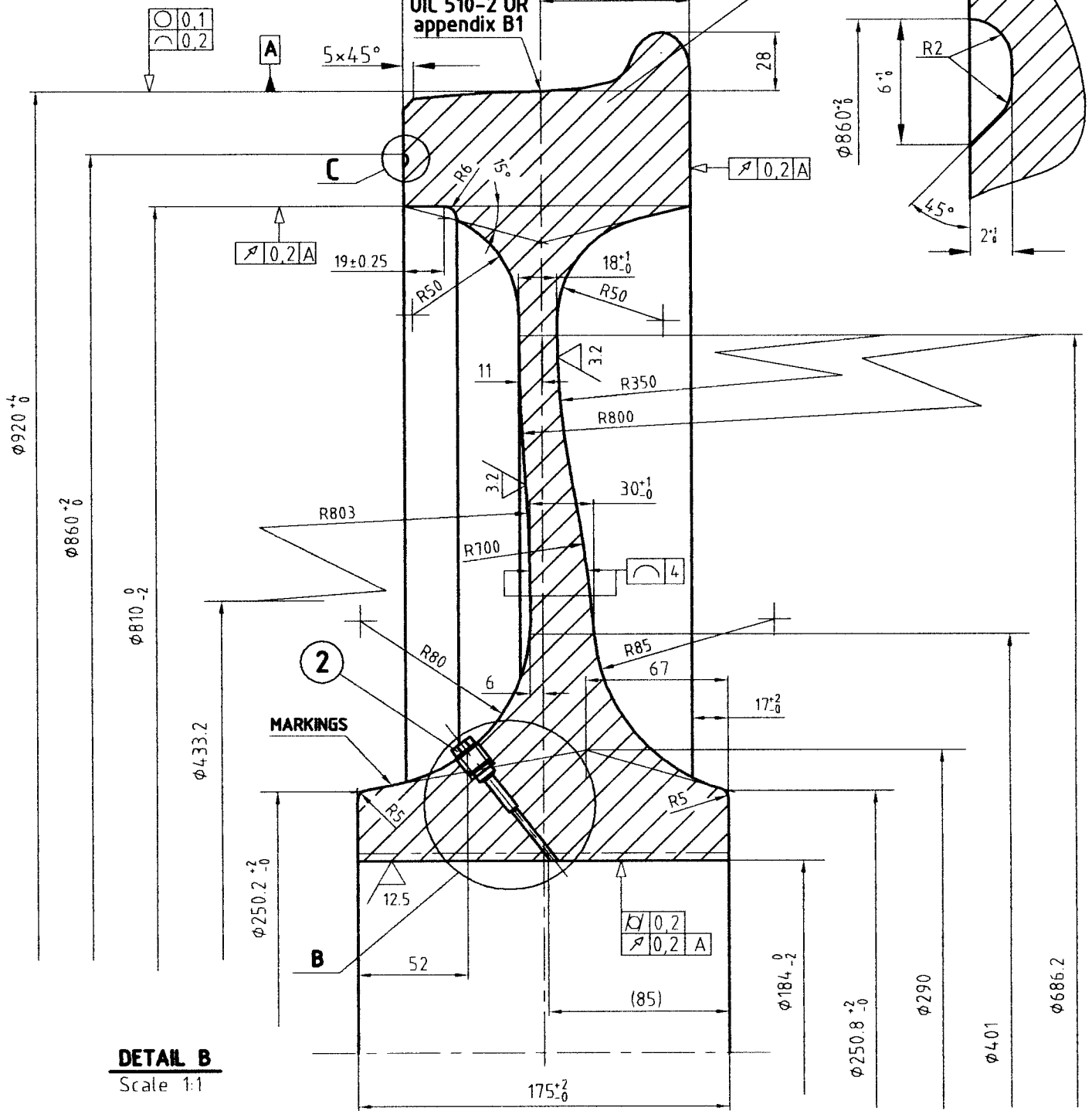
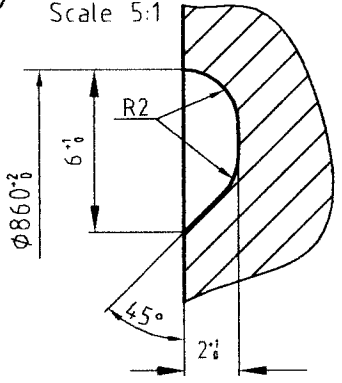


Ra6.3 / (Ra12.5 / Ra3.2)

1 **DETAIL C**
Scale 5:1

PROFILE
UIC 510-2 OR
appendix B1

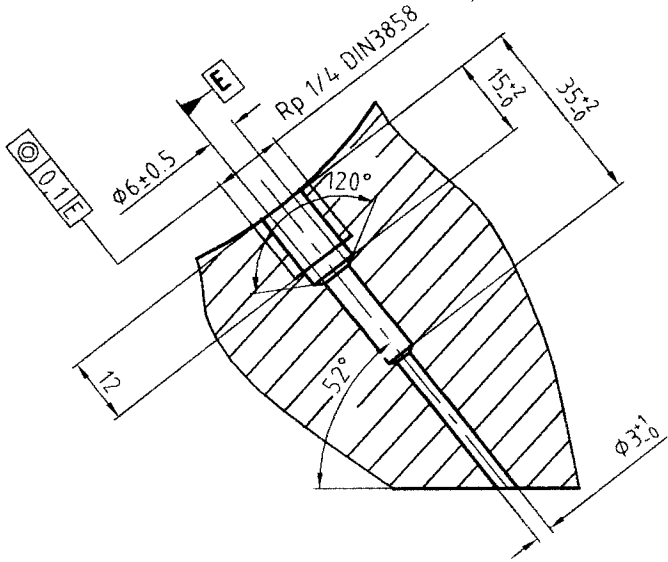


DETAIL B
Scale 1:1

Solid wheel statically balanced,
admissible residual imbalance: 75 gm

NOMINAL DIAMETER OF AXLE 191 mm

Not dimensioned chamfer 1x45°



1	HEXAGON HEAD PIPE PLUG DIN909 - R1/4- SH	2
1	ER7	1
Quant'	Siz	Material
ISRAEL RAILWAYS ROLLING STOCK DIVISION		
Name	Date	Draw' name
	26.11.08	SOLID WHEEL $\phi 920$
	Drawn	(FOR SINGLE-DECK COACHES)
	Verified	
Scale 1:2		Drw' No ME
		437.00.3
		APPENDIX 6
Part of Technical Specification No M-04-48E		