

Ra12.5 / (Ra6.3)

○	0,2
⌒	0,5

A

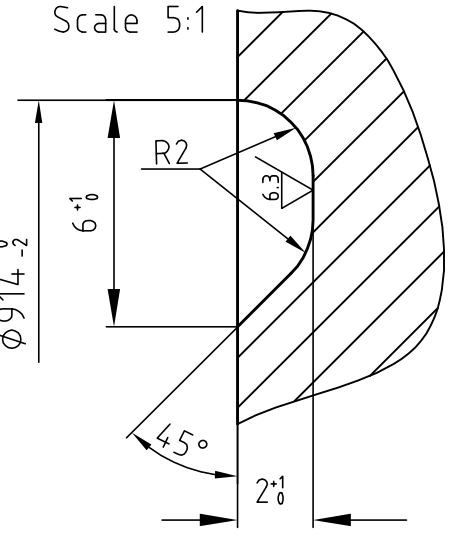
5x45°

135±1
PROFILE
UIC 510-2 OR
appendix B1

70

1

DETAIL C
Scale 5:1



φ1000⁺⁴

φ914⁰₋₂

φ880⁰₋₄

φ769.3

φ402.7

φ285⁺⁵₀

2

MARKINGS

20⁺²₀

(min)R50

R100.5

R119.5

R110

22⁺⁵₀

R110

R99.27

R121.27

R110

R110

R97.5

R122.5

(min)R60

(min)R60

25⁺⁵₀

R6

6.3

50°

R10

6.3

15°

55±1.25

φ586

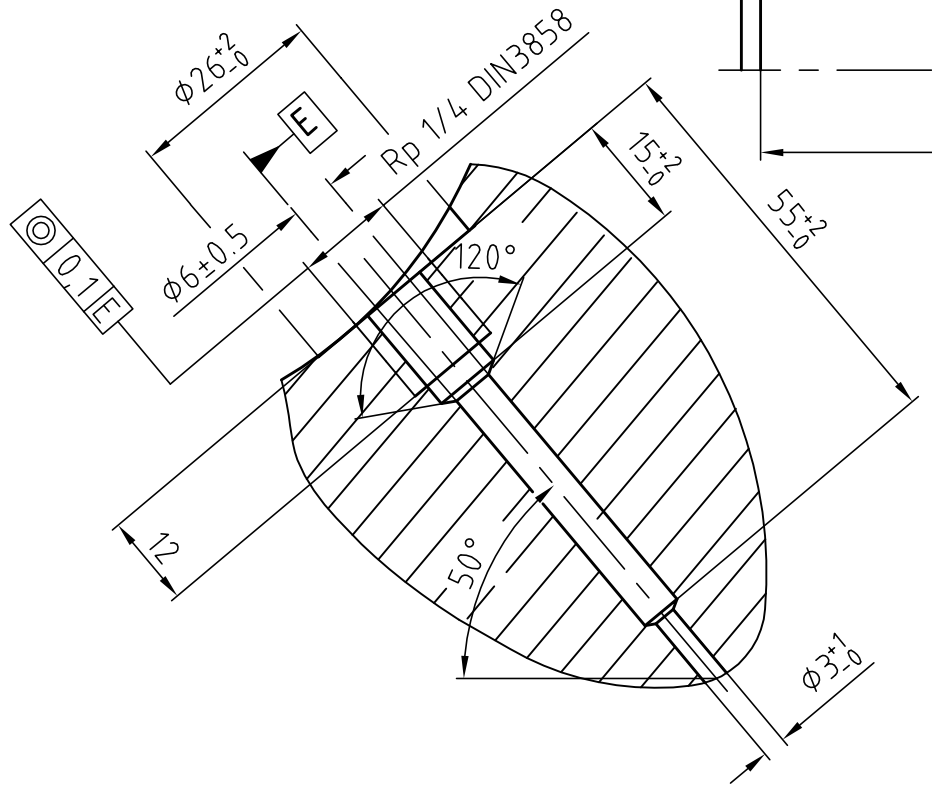
φ178⁰₋₂

φ250⁺⁵₀

92±1

185⁺³₀

DETAIL B
Scale 1:1



Solid wheel statically balanced,
admissible residual imbalance: 125 gm
NOMINAL DIAMETER OF AXLE 185 mm

1	HEXAGON HEAD PIPE PLUG DIN909 - R1/4- St	2	
1	ER7 (*)	1	
Quant'	Size	Material	No
ISRAEL RAILWAYS		ROLLING STOCK DIVISION	
Name	Date	Draw' name	Draw' No
	14.10.04	SOLID WHEEL φ 1000	ME
		(FOR OLD FREIGHT WAGONS)	380.00.3(B)
		Scale 1:2	APPENDIX 9 (*)
Part of Technical Specification No M-04-48E			
(*) - Last revision from 26.06.2012			