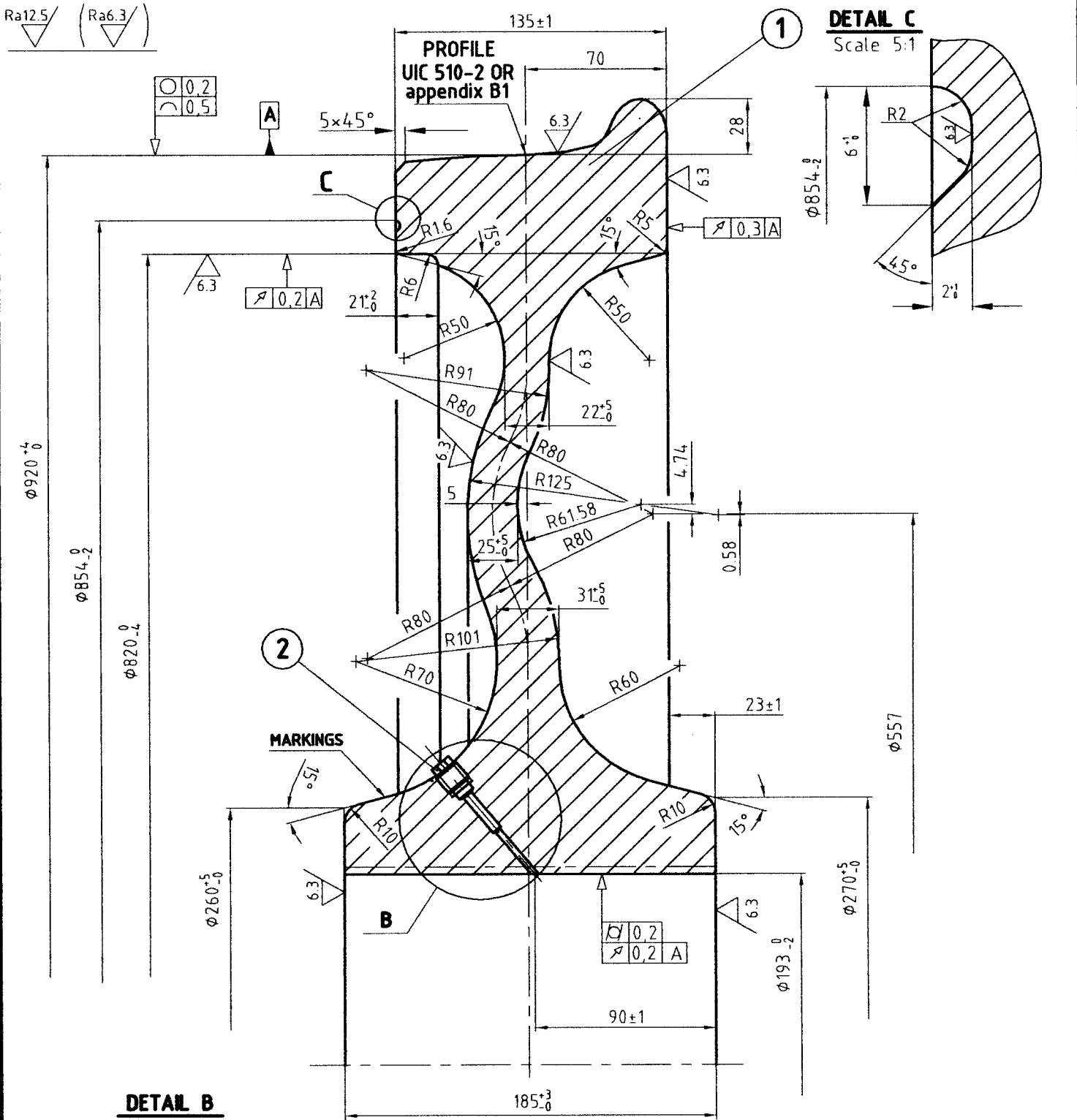
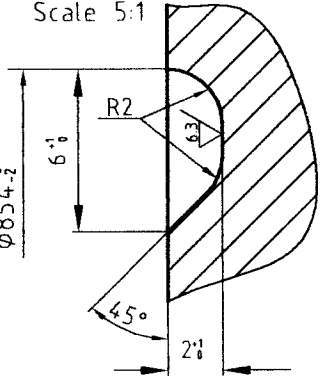


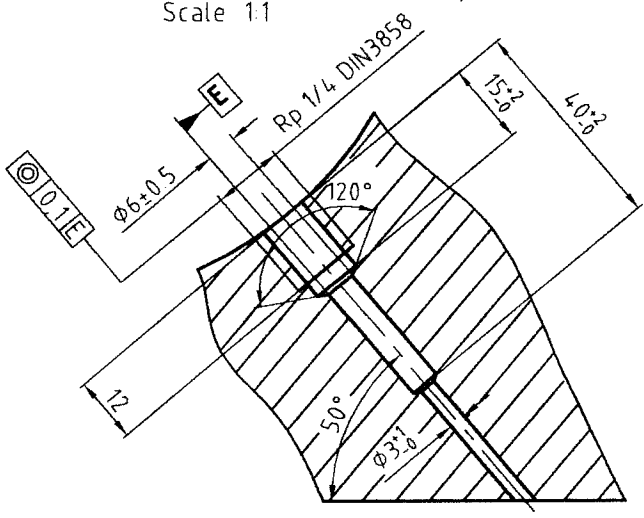
Ra12.5 / (Ra6.3)



DETAIL C
Scale 5:1



DETAIL B
Scale 1:1



**Solid wheel statically balanced,
admissible residual imbalance: 125 gm**

**NOMINAL DIAMETER OF AXLE 200 mm
AXLE LOAD 22.5t**

| | | |
|---|--|------------------------|
| 1 | HEXAGON HEAD PIPE PLUG DIN909 - R1/4- St | 2 |
| 1 | ER7 (*) | 1 |
| Quant' | Size | Material |
| ISRAEL RAILWAYS | | ROLLING STOCK DIVISION |
| Name | Date | Draw' name |
| | 14.10.04 | ME |
| | Drawn | Drw' No |
| | Verified | 399.00.3(B) |
| Scale 1:2 | | APPENDIX 7 |
| Part of Technical Specification No M-04-48E | | |
| (*) - Last revision from 26.11.2008 | | |