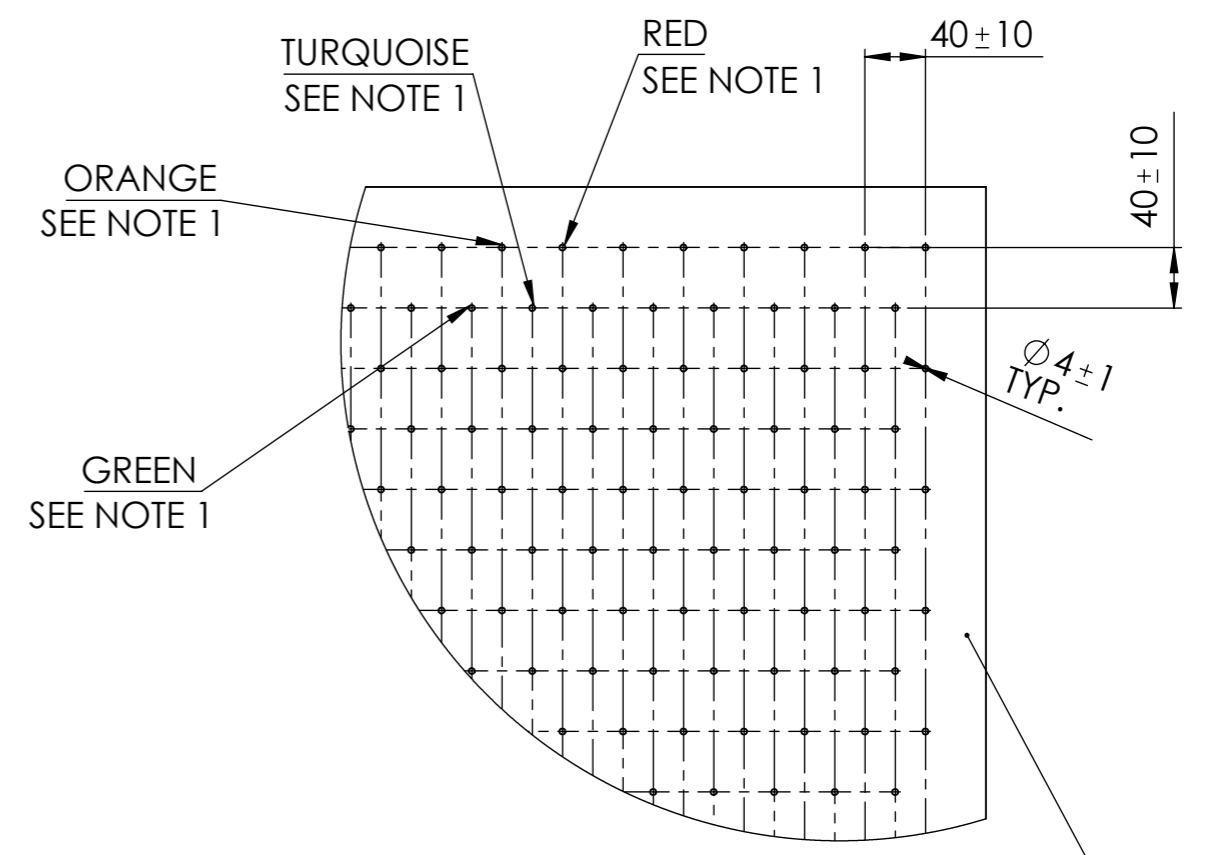
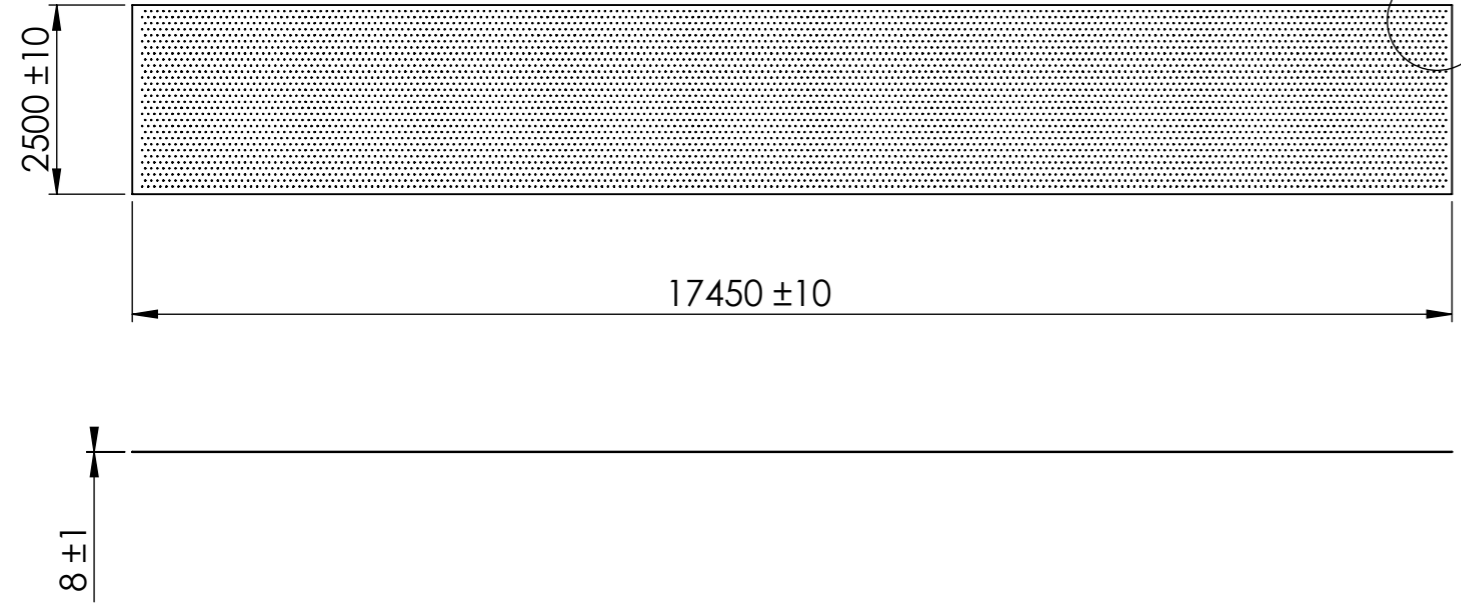


CONFIDENTIAL INFORMATION
 THIS DOCUMENT CONTAINS DRAWINGS SPECIFICATIONS & OTHER PROPRIETARY TECHNICAL INFORMATION BELONGING TO ISRAEL RAILWAYS LTD.
 MAY NOT BE USED WITHOUT WRITTEN AUTHORIZATION

REVISIONS				
REV	DESCRIPTION	ECO-NO	ID/SIGNATURE	DATE
A				



DETAIL A
SCALE 1 : 10

TABLE 1: ISRAELI CLIMATE CONDITIONS

MAXIMUM WORK TEMPERATURE (°C)	70
MINIMUM WORK TEMPERATURE (°C)	-5
HUMIDITY	UP TO 95%
HEIGHT (m)	(-400) - 800
SUNSHINE HOURS PER YEAR	3300
UV RADIATION PER YEAR (MJ/m ²)	300 - 600
RAINFALL PER YEAR (mm)	400 - 800

TABLE 2: TECHNICAL REQUIREMENTS

Criteria	Standard	Accepted Values
Face yarn	---	97 ÷ 100% polyamide
Yarn count	---	2/50 ± 7.5%
Wires	---	215/m ± 5%
Tuft density	---	992/100cm ² ± 5%
Finished carpet total weight	---	2200 ÷ 3000g/m ²
Electrical resistance	ISO 10965	> 10 ⁹ Ω
Impact noise reduction	EN ISO 717-2	ΔL _w = approx. 25 - 32dB
Slip resistance	EN13893	μ ≥ 0.3
Body voltage	ISO6356	< 2kV
Thermal resistance	ISO8302	0.09 - 0.14m ² K/W
Flammability Test Results:		
Tested flammability standard	EN45545-2 DIN EN ISO 9239-1	HL2/HL3
Smoke density	EN45545-2 DIN EN ISO 5659-2	D _{s,max} = 272
Conventional Index of Toxicity	EN45545-2 DIN EN ISO 5659-2	CIT _G = 0.75

NOTE 1:
 THE DESCRIBED INTERNAL DESIGN IS FOR REF. ONLY
 EXACT COLORS AND TEXTURE WILL BE OBTAINED FROM A SAMPLE THAT WILL BE PROVIDED FROM "ISRAEL RAILWAYS LTD."

MATERIAL	CAT NO.	DIM	
	QTY 1	UM	
TOLERANCES, UNLESS OTHERWISE SPECIFIED:	DESIGNED	ID/SIGNATURE	DATE
	CHECKED	Yuval.C	28.04.2021
	Q.A.		
	APPROVED		
TITLE			PROCESS/TREATMENT
TCDD CARPET MODEL ISR 1			
SURFACE TEXTURE			I.S.R Catalog Number
SCALE 1:100	CLASS	SIZE A3	m.03.0000.000100
		DRAWING NO.	SHT OF 1 1
		REV	